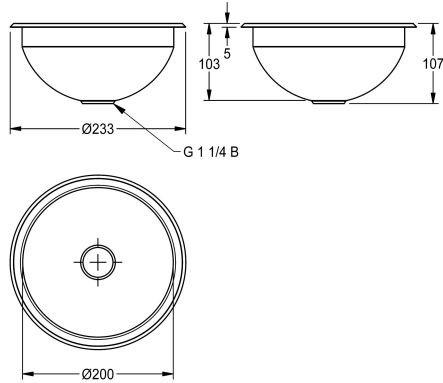


KWC RONDO Round sink

Modell-Linie: **RONDO | RNDH200**
Washbasins & Washtroughs | Wash basins



KWC-No.

2000056306
High-polished surface

2000056331
Surface satin-finished

bowl finish

high polished

satin finished

Round inset vanity basin, can be mounted from top or underneath, stainless steel, material thickness 1 mm, bowl diameter 200 mm, without overflow, inclusive G 1 1/4 B flat perforated and plug waste, stainless steel lugs for underneath mounting are included.

Dimensions 233 x 107 mm (D x H)
Outcut diameter for mounting from top 212 mm
Outcut diameter for mounting from underneath 190 mm
Surface high-polished

Technical Data

bowl position
bowl - bowl height
bowl finish
bowl - depth
bowl shape
bowl - width
colour
material
material code
material thickness
overall depth
overall height
overall width
overflow
rear upstand
siphon included
splash back
surface finish
tap ledge
type of mounting
type of waste kit
waste hole position
waste hole projection

center
108 mm
high polished
200 mm
circle
200 mm
No colour
stainless steel
1.4301 Chrome Nickel steel V2A
1 mm
233 mm
108 mm
233 mm
no
no
no
no
high polished
no
inset mounting
flat perforated waste
centre
116.5 mm

KWC RONDO Round sink

Modell-Linie: **RONDO** | RNDH200
Washbasins & Washtroughs | Wash basins

waste kit included

yes

waste size

DN 32

Optional Accessories



RONDO reduction for outlet valve

2000101362
E-REDUKTION

Spare Parts



Waste kit

2000103407
EANMX002