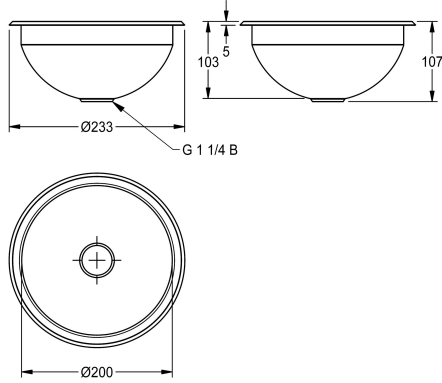


KWC RONDO Round sink

Modell-Linie: **RONDO | RNDH200**
Washbasins & Washtroughs | Wash basins



KWC-No.

2000056306
High-polished surface

2000056331
Surface satin-finished

bowl finish

high polished

satin finished

Round inset vanity basin, can be mounted from top or underneath, stainless steel, material thickness 1 mm, bowl diameter 200 mm, without overflow, inclusive G 1 1/4 B flat perforated and plug waste, stainless steel lugs for underneath mounting are included.

Dimensions 233 x 107 mm (D x H)
Outcut diameter for mounting from top 212 mm
Outcut diameter for mounting from underneath 190 mm
Surface high-polished

Technical Data

bowl position	center
bowl - bowl height	108 mm
bowl finish	high polished
bowl - depth	200 mm
bowl shape	circle
bowl - width	200 mm
colour	No colour
material	stainless steel
material code	1.4301 Chrome Nickel steel V2A
material thickness	1 mm
overall depth	233 mm
overall height	108 mm
overall width	233 mm
overflow	no
rear upstand	no
siphon included	no
splash back	no
surface finish	high polished
tap ledge	no
type of mounting	inset mounting
type of waste kit	flat perforated waste
waste hole position	centre
waste hole projection	116.5 mm

KWC RONDO Round sink

Modell-Linie: **RONDO | RNDH200**
Washbasins & Washtroughs | Wash basins

waste kit included

yes

waste size

DN 32

Optional Accessories



RONDO reduction for outlet valve

2000101362
E-REDUKTION

Spare Parts



Waste kit

2000103407
EANMX002