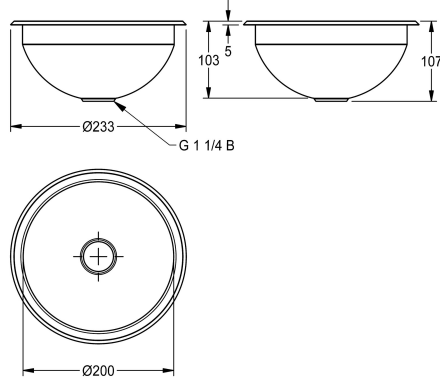


## KWC RONDO

### Round sink

Modell-Linie: RONDO | RNDX200

Washbasins & Washtroughs | Wash basins



#### KWC-No.

**2000056306**  
High-polished surface

**2000056331**  
Surface satin-finished

#### bowl finish

high polished

satin finished

Round inset vanity basin, can be mounted from top or underneath, stainless steel, material thickness 1 mm, bowl diameter 200 mm, without overflow, incl. G 1 1/4 B flat perforated and plug waste, stainless steel lugs for underneath mounting are included.

Dimensions 233 x 107 mm (D x H)  
 Outcut diameter for mounting from top 212 mm  
 Outcut diameter for mounting from underneath 190 mm  
 Surface satin finished

#### Technical Data

bowl position
bowl - bowl height
bowl finish
bowl - depth
bowl shape
bowl - width
colour
material
material code
material thickness
overall depth
overall height
overall width
overflow
rear upstand
siphon included
splash back
surface finish
tap ledge
type of mounting
waste hole position
waste hole projection
waste kit included

center
108 mm
satin finished
200 mm
circle
200 mm
No colour
stainless steel
1.4301 Chrome Nickel steel V2A
1 mm
233 mm
108 mm
233 mm
no
no
no
no
satin finished
no
inset mounting
centre
116.5 mm
yes

## KWC RONDO Round sink

Modell-Linie: **RONDO** | **RNDX200**  
Washbasins & Washtroughs | Wash basins

waste size

DN 32

### Optional Accessories



#### RONDO reduction for outlet valve

**2000101362**  
E-REDUKTION

### Spare Parts



#### Waste kit

**2000103407**  
EANMX002