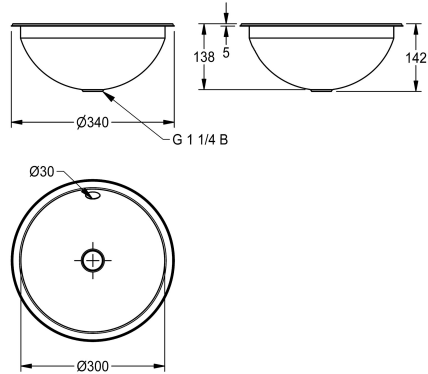


KWC RONDO Round sink

Modell-Linie: **RONDO | RNDH300**
Washbasins & Washtroughs | Wash basins



KWC-No.

2000056337

Dimensions 340 x 142 mm (D x H) High-polished surface

2000056424

Surface satin-finished

bowl finish

high polished

satin finished

Round inset vanity basin, can be mounted from top or underneath, stainless steel, material thickness 1 mm, bowl diameter 300 mm, with overflow, inclusive G 1 1/4 B overflow kit without waste, stainless steel lugs for underneath mounting are included.

Dimensions 340 x 142 mm (D x H)
Outcut diameter for mounting from top 319 mm
Outcut diameter for mounting from underneath 290 mm
Surface high-polished

Technical Data

bowl position	Center
bowl - bowl height	160 mm
bowl finish	high polished
bowl - depth	300 mm
bowl shape	circle
bowl - width	300 mm
colour	no colour
material	stainless steel
material code	1.4301 Chrome Nickel steel V2A
material thickness	1 mm
overall depth	339 mm
overall height	160 mm
overall width	339 mm
overflow	yes
rear upstand	no
siphon included	no
splash back	no
surface finish	high polished
tap ledge	no
type of mounting	inset mounting
waste hole position	centre
waste hole projection	169.5 mm
waste kit included	no

KWC RONDO Round sink

Modell-Linie: **RONDO | RNDH300**
Washbasins & Washtroughs | Wash basins

waste size

DN 32

Optional Accessories



Waste kit

2000103551
ERNDX003



Waste kit

2000103407
EANMX002



RONDO waste fitting kit

2000101364
E-RNDX-UEL SET



RONDO reduction for outlet valve

2000101362
E-REDUKTION



Outlet valve

2000101361
E-XINH-VALVE-SS



RONDO outlet valve

2000101365
E-XINH VALVE

Spare Parts



Overflow set

2000103422
EANMX010



KWC RONDO
Round sink

Modell-Linie: RONDO | RNDH300
Washbasins & Washtroughs | Wash basins