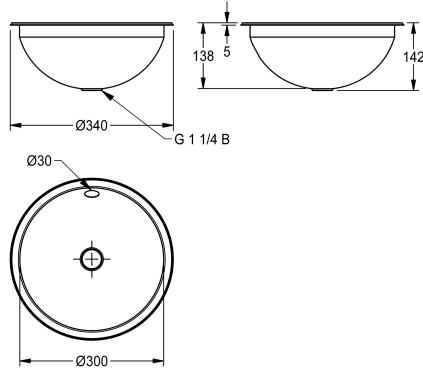


## KWC RONDO Round sink

Modell-Linie: **RONDO | RNDX300**  
Washbasins & Washtroughs | Wash basins



### KWC-No.

**2000056337**

Dimensions 340 x 142 mm (D x H) High-polished surface

**2000056424**

Surface satin-finished

### bowl finish

high polished

satin finished

Round inset vanity basin, can be mounted from top or underneath, stainless steel, material thickness 1 mm, bowl diameter 300 mm, with overflow, inclusive G 1 1/4 B overflow kit without waste, stainless steel lugs for underneath mounting are included.

Dimensions 340 x 142 mm (D x H)  
Outcut diameter for mounting from top 319 mm  
Outcut diameter for mounting from underneath 290 mm  
Surface satin finished

### Technical Data

bowl position	Center
bowl - bowl height	160 mm
bowl finish	satin finished
bowl - depth	300 mm
bowl shape	circle
bowl - width	300 mm
colour	no colour
material	stainless steel
material code	1.4301 Chrome Nickel steel V2A
material thickness	1 mm
overall depth	339 mm
overall height	160 mm
overall width	339 mm
overflow	yes
rear upstand	no
siphon included	no
splash back	no
surface finish	satin finished
tap ledge	no
type of mounting	inset mounting
waste hole position	centre
waste hole projection	169.5 mm
waste kit included	no

## KWC RONDO Round sink

Modell-Linie: **RONDO | RNDX300**  
Washbasins & Washtroughs | Wash basins

waste size

DN 32

### Optional Accessories



#### Waste kit

**2000103551**  
ERNDX003



#### Waste kit

**2000103407**  
EANMX002



#### RONDO waste fitting kit

**2000101364**  
E-RNDX-UEL SET



#### RONDO reduction for outlet valve

**2000101362**  
E-REDUKTION



#### Outlet valve

**2000101361**  
E-XINH-VALVE-SS



#### RONDO outlet valve

**2000101365**  
E-XINH VALVE

### Spare Parts



#### Overflow set

**2000103422**  
EANMX010



**KWC RONDO**  
Round sink

**Modell-Linie: RONDO | RNDX300**  
Washbasins & Washtroughs | Wash basins