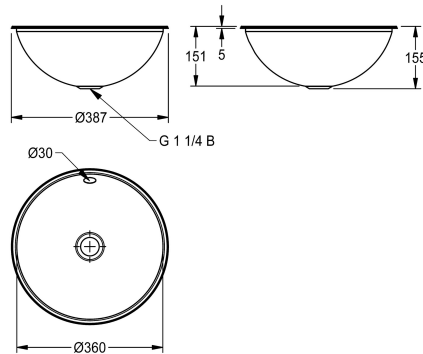


KWC RONDO Round sink

Modell-Linie: **RONDO | RNDH360**
Washbasins & Washtroughs | Wash basins



KWC-No.

2000056428

Dimensions 388 x 152 mm (x H) High-polished surface

2000056431

Surface satin-finished

bowl finish

high polished

satin finished

Round inset vanity basin, can be mounted from top or underneath, stainless steel, material thickness 1 mm, bowl diameter 360 mm, with overflow, inclusive G 1 1/4 B overflow kit without waste, stainless steel lugs for underneath mounting are included.

Dimensions 387 x 155 mm (D x H)
Outcut diameter for mounting from top 368 mm
Outcut diameter for mounting from underneath 350 mm
Surface high-polished

Technical Data

| |
|-----------------------|
| bowl position |
| bowl - bowl height |
| bowl finish |
| bowl - depth |
| bowl shape |
| bowl - width |
| colour |
| material |
| material code |
| material thickness |
| overall depth |
| overall height |
| overall width |
| overflow |
| rear upstand |
| siphon included |
| splash back |
| surface finish |
| tap ledge |
| type of mounting |
| waste hole position |
| waste hole projection |
| waste kit included |

| |
|--------------------------------|
| center |
| 150 mm |
| high polished |
| 357 mm |
| circle |
| 357 mm |
| No colour |
| stainless steel |
| 1.4301 Chrome Nickel steel V2A |
| 1 mm |
| 388 mm |
| 150 mm |
| 388 mm |
| yes |
| no |
| no |
| no |
| high polished |
| no |
| inset mounting |
| centre |
| 194 mm |
| no |

KWC RONDO Round sink

Modell-Linie: **RONDO | RNDH360**
Washbasins & Washtroughs | Wash basins

waste size

DN 32

Optional Accessories



Waste kit

2000103551
ERNDX003



Waste kit

2000103407
EANMX002



RONDO waste fitting kit

2000101364
E-RNDX-UEL SET



RONDO reduction for outlet valve

2000101362
E-REDUKTION



Outlet valve

2000101361
E-XINH-VALVE-SS



RONDO outlet valve

2000101365
E-XINH VALVE

Spare Parts



Overflow set

2000103422
EANMX010



KWC RONDO
Round sink

Modell-Linie: RONDO | RNDH360
Washbasins & Washtroughs | Wash basins