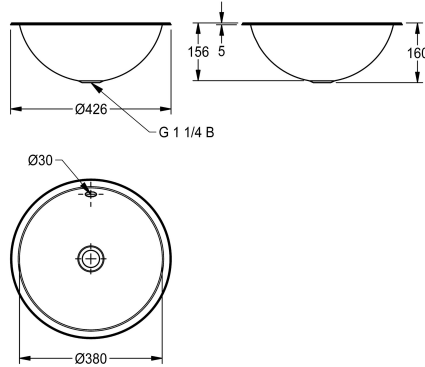


## KWC RONDO Round sink

Modell-Linie: **RONDO | RNDH381**  
Washbasins & Washtroughs | Wash basins



### KWC-No.

**2000056432**

Dimensions 428 x 157 mm ( x H) High-polished surface

**2000056436**

Surface satin-finished

### bowl finish

high polished

satin finished

Round inset vanity basin, can be mounted from top or underneath, stainless steel, material thickness 1 mm, bowl diameter 380 mm, with overflow, inclusive. G 1 1/4 B overflow kit without waste, stainless steel lugs for underneath mounting are included.

Dimensions 426 x 160 mm (D x H)  
Outcut diameter for mounting from top 406 mm  
Outcut diameter for mounting from underneath 368 mm  
Surface high-polished

### Technical Data

bowl position
bowl - bowl height
bowl finish
bowl - depth
bowl shape
bowl - width
colour
material
material code
material thickness
overall depth
overall height
overall width
overflow
rear upstand
siphon included
splash back
surface finish
tap ledge
type of mounting
waste hole position
waste hole projection
waste kit included

Center
159 mm
high polished
380 mm
circle
380 mm
no colour
stainless steel
1.4301 Chrome Nickel steel V2A
1 mm
426 mm
159 mm
426 mm
yes
no
no
no
high polished
no
inset mounting
centre
214 mm
no

## KWC RONDO Round sink

Modell-Linie: **RONDO | RNDH381**  
Washbasins & Washtroughs | Wash basins

waste size

DN 32

### Optional Accessories



#### Waste kit

**2000103551**  
ERNDX003



#### Waste kit

**2000103407**  
EANMX002



#### RONDO waste fitting kit

**2000101364**  
E-RNDX-UEL SET



#### RONDO reduction for outlet valve

**2000101362**  
E-REDUKTION



#### Outlet valve

**2000101361**  
E-XINH-VALVE-SS



#### RONDO outlet valve

**2000101365**  
E-XINH VALVE

### Spare Parts



#### Overflow set

**2000103422**  
EANMX010



**KWC RONDO**  
Round sink

**Modell-Linie: RONDO | RNDH381**  
Washbasins & Washtroughs | Wash basins