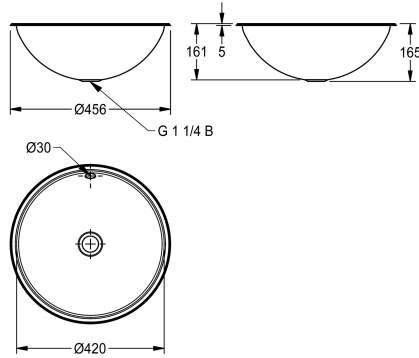


## KWC RONDO

Round sink

Modell-Linie: RONDO | RNDX420

Washbasins & Washtroughs | Wash basins



### KWC-No.

**2000056536**

Dimensions 456 x 160 mm (D x H) High-polished surface

**2000056537**

Surface satin-finished

### bowl finish

high polished

satin finished

Round inset vanity basin, can be mounted from top or underneath, stainless steel, material thickness 1 mm, bowl diameter 420 mm, with overflow, inclusive G 1 1/4 B overflow kit without waste, stainless steel lugs for underneath mounting are included.

Dimensions 456 x 165 mm (D x H)  
 Outcut diameter for mounting from top 436 mm  
 Outcut diameter for mounting from underneath 410 mm  
 Surface satin finished

### Technical Data

bowl position
bowl - bowl height
bowl finish
bowl - depth
bowl shape
bowl - width
colour
material
material code
material thickness
overall depth
overall height
overall width
overflow
rear upstand
siphon included
splash back
surface finish
tap ledge
type of mounting
waste hole position
waste hole projection
waste kit included

center
160 mm
satin finished
418 mm
circle
418 mm
No colour
stainless steel
1.4301 Chrome Nickel steel V2A
1 mm
456 mm
160 mm
456 mm
yes
no
no
no
satin finished
no
inset mounting
centre
228 mm
yes

## KWC RONDO Round sink

Modell-Linie: **RONDO | RNDX420**  
Washbasins & Washtroughs | Wash basins

waste size	DN 32
waste sleeve included	no

### Optional Accessories



#### Waste kit

**2000103551**  
ERNDX003



#### Waste kit

**2000103407**  
EANMX002



#### RONDO waste fitting kit

**2000101364**  
E-RNDX-UEL SET



#### RONDO reduction for outlet valve

**2000101362**  
E-REDUKTION



#### Outlet valve

**2000101361**  
E-XINH-VALVE-SS



#### RONDO outlet valve

**2000101365**  
E-XINH VALVE

### Spare Parts



#### Overflow set

**2000103422**



**KWC RONDO**  
Round sink

**Modell-Linie: RONDO | RNDX420**  
Washbasins & Washtroughs | Wash basins

EANMX010

---