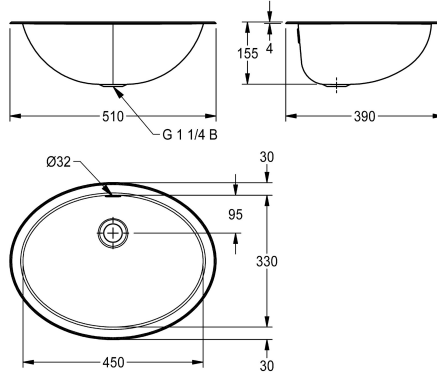


KWC RONDO Oval washbasin

Modell-Linie: **RONDO | RNDH450-O**
Washbasins & Washtroughs | Wash basins



KWC-No.

2000056539

Dimensions 512 x 159 x 392 mm (W x H x D) High-polished surface

2000056606

Surface satin-finished

bowl finish

high polished

satin finished

Round inset vanity basin, can be mounted from top or underneath, stainless steel, material thickness 1 mm, with overflow, inclusive 5/4" overflow kit without waste, stainless steel lugs for underneath mounting are included.

Surface high-polished
Dimensions 510 x 155 x 390 mm (W x H x D)
Bowl Dimensions 450 x 155 x 330 mm (W x H x D)
Outcut diameter for mounting from top 492 x 372 mm
Outcut diameter for mounting from underneath 440 x 320 mm

Technical Data

bowl position	Center
bowl - bowl height	155 mm
bowl finish	high polished
bowl - depth	330 mm
bowl shape	oval
bowl - width	450 mm
colour	no colour
material	stainless steel
material code	1.4301 Chrome Nickel steel V2A
material thickness	1 mm
overall depth	390 mm
overall height	155 mm
overall width	510 mm
overflow	yes
rear upstand	no
siphon included	no
splash back	no
surface finish	high polished
tap ledge	no
type of mounting	inset mounting
waste hole position	centre back
waste hole projection	131 mm
waste kit included	no

Center
155 mm
high polished
330 mm
oval
450 mm
no colour
stainless steel
1.4301 Chrome Nickel steel V2A
1 mm
390 mm
155 mm
510 mm
yes
no
no
no
high polished
no
inset mounting
centre back
131 mm
no

KWC RONDO Oval washbasin

Modell-Linie: **RONDO | RNDH450-O**
Washbasins & Washtroughs | Wash basins

waste size

DN 32

Optional Accessories



Waste kit

2000103551
ERNDX003



Waste kit

2000103407
EANMX002



RONDO waste fitting kit

2000101364
E-RNDX-UEL SET



RONDO reduction for outlet valve

2000101362
E-REDUKTION



Outlet valve

2000101361
E-XINH-VALVE-SS



RONDO outlet valve

2000101365
E-XINH VALVE

Spare Parts



Overflow set

2000103422
EANMX010



KWC RONDO
Oval washbasin

Modell-Linie: RONDO | RNDH450-O
Washbasins & Washtroughs | Wash basins