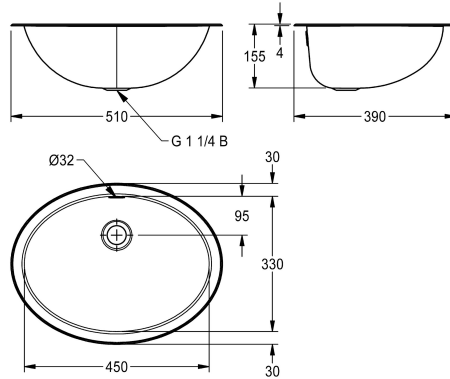


KWC RONDO

Round sink

Modell-Linie: RONDO | RNDX450-O

Washbasins & Washtroughs | Wash basins



KWC-No.

2000056539

Dimensions 512 x 159 x 392 mm (W x H x D) High-polished surface

2000056606

Surface satin-finished

bowl finish

high polished

satin finished

Round inset vanity basin, can be mounted from top or underneath, stainless steel, material thickness 1 mm, with overflow, inclusive 5/4" overflow kit without waste, stainless steel lugs for underneath mounting are included.

Surface satin finished

Dimensions 510 x 155 x 390 mm (W x H x D)
Bowl Dimensions 450 x 155 x 330 mm (W x H x D)
Outcut diameter for mounting from top 492 x 372 mm
Outcut diameter for mounting from underneath 440 x 320 mm

Technical Data

bowl position
bowl - bowl height
bowl finish
bowl - depth
bowl shape
bowl - width
colour
material
material code
material thickness
overall depth
overall height
overall width
overflow
rear upstand
siphon included
splash back
surface finish
tap ledge
type of mounting
waste hole position
waste hole projection

Center
155 mm
satin finished
330 mm
oval
450 mm
no colour
stainless steel
1.4301 Chrome Nickel steel V2A
1 mm
390 mm
155 mm
510 mm
yes
no
no
no
satin finished
no
inset mounting
centre back
131 mm

KWC RONDO Round sink

Modell-Linie: **RONDO | RNDX450-O**
Washbasins & Washtroughs | Wash basins

waste kit included

no

waste size

DN 32

Optional Accessories



Waste kit

2000103551
ERNDX003



Waste kit

2000103407
EANMX002



RONDO waste fitting kit

2000101364
E-RNDX-UEL SET



RONDO reduction for outlet valve

2000101362
E-REDUKTION



Outlet valve

2000101361
E-XINH-VALVE-SS



RONDO outlet valve

2000101365
E-XINH VALVE

Spare Parts



Overflow set

2000103422



KWC RONDO
Round sink

Modell-Linie: RONDO | RNDX450-O
Washbasins & Washtroughs | Wash basins

EANMX010
