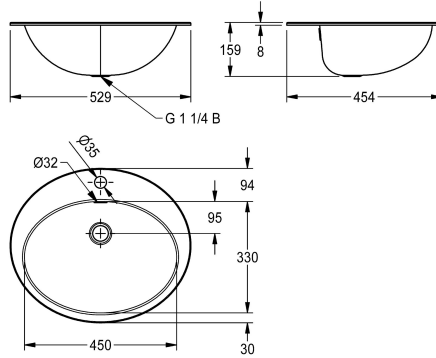


KWC RONDO Oval washbasin

Modell-Linie: **RONDO | RNDH451-O**
Washbasins & Washtroughs | Wash basins



KWC-No.

2000056717

Dimensions 531 x 159 x 456 mm (W x H x D) High-polished surface

2000056719

Surface satin finished

bowl finish

high polished

satin finished

Round inset vanity basin, can be mounted from top or underneath, stainless steel, material thickness 1 mm, with overflow and tap ledge, incl. 35 mm tap hole drilling, inclusive 5/4" overflow kit without waste, stainless steel lugs for underneath mounting are included.

Surface high-polished
Dimensions 529 x 159 x 454 mm (W x H x D)
Bowl Dimensions 450 x 159 x 330 mm (W x H x D)
Outcut diameter for mounting from top 511 x 436 mm
Outcut diameter for mounting from underneath 440 x 320 mm

Technical Data

bowl position
bowl - bowl height
bowl finish
bowl - depth
bowl shape
bowl - width
colour
material
material code
material thickness
overall depth
overall height
overall width
overflow
rear upstand
siphon included
splash back
surface finish
number of tap holes
tap hole diameter
tap hole position
tap ledge

center
159 mm
high polished
330 mm
oval
450 mm
No colour
stainless steel
1.4301 Chrome Nickel steel V2A
1 mm
454 mm
159 mm
529 mm
yes
no
no
no
high polished
1
35 mm
middle
yes



KWC RONDO Oval washbasin

Modell-Linie: **RONDO | RNDH451-O**
Washbasins & Washtroughs | Wash basins

type of mounting	inset mounting
waste hole position	centre back
waste hole projection	231 mm
waste kit included	no
waste size	DN 32

Optional Accessories



Waste kit

2000103551
ERNDX003



Waste kit

2000103407
EANMX002



RONDO waste fitting kit

2000101364
E-RNDX-UEL SET



RONDO reduction for outlet valve

2000101362
E-REDUKTION



Outlet valve

2000101361
E-XINH-VALVE-SS



RONDO outlet valve

2000101365
E-XINH VALVE

Spare Parts





KWC RONDO
Oval washbasin

Modell-Linie: RONDO | RNDH451-O
Washbasins & Washtroughs | Wash basins

Overflow set

2000103422
EANMX010
