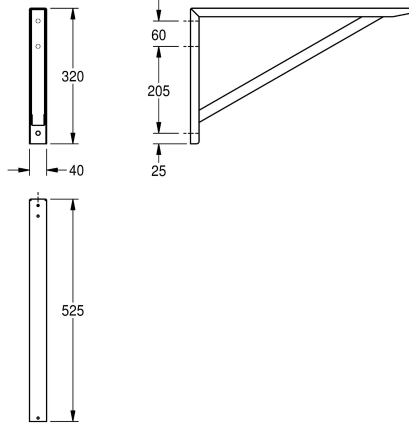


## KWC SIRIUS Bracket

Modell-Linie: SIRIUS | BS354  
Utility sinks | Complementary parts utility sinks



### KWC-No.

**2000056824**

SIRIUS bracket, dimensions 40 x 525 x 320 mm (W x H x D)

Bracket for wall mounting, stainless steel, surface satin finished, material thickness 1.5 mm, includes stainless steel screws and dowels.

Dimensions 40 x 320 x 525 mm (W x H x D)

### Technical Data

|                    |
|--------------------|
| material           |
| material code      |
| material thickness |
| overall depth      |
| overall height     |
| overall width      |
| surface finish     |
| type of mounting   |

|                                |
|--------------------------------|
| stainless steel                |
| 1.4301 Chrome Nickel steel V2A |
| 1.5 mm                         |
| 525 mm                         |
| 320 mm                         |
| 40 mm                          |
| satin finished                 |
| wall mounting                  |