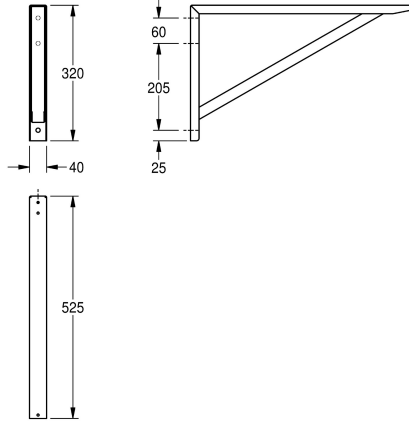


KWC SIRIUS

Bracket

Modell-Linie: SIRIUS | BS354

Utility sinks | Complementary parts utility sinks



KWC-No.

2000056824

SIRIUS bracket, dimensions 40 x 525 x 320 mm (W x H x D)

Bracket for wall mounting, stainless steel, surface satin finished, material thickness 1.5 mm, includes stainless steel screws and dowels.

Dimensions 40 x 320 x 525 mm (W x H x D)

Technical Data

material
material code
material thickness
overall depth
overall height
overall width
surface finish
type of mounting

stainless steel
1.4301 Chrome Nickel steel V2A
1.5 mm
525 mm
320 mm
40 mm
satin finished
wall mounting