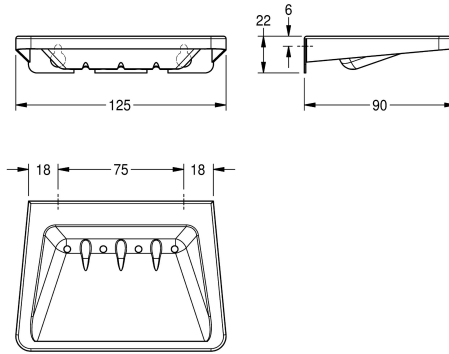


KWC Soap tray

Modell-Linie: ACCESSOIRES | BS646
Accessories | Shelves



KWC-No.

2000056910

With drainage holes, dimensions 125 x 22 x 90 mm (W x H x D)

Soap tray for wall mounting, stainless steel, surface satin finished, material thickness 1.0 mm, deep drawn soap dish, includes stainless steel screws and dowels.

Dimensions 125 x 22 x 90 mm (W x H x D)
Soap dish with drainage

Technical Data

material
material code
material thickness
overall depth
overall height
overall width
surface finish
type of fixing
type of mounting

stainless steel
1.4301 Chrome Nickel steel V2A
1 mm
90 mm
22 mm
125 mm
satin finished
screw
wall mounting