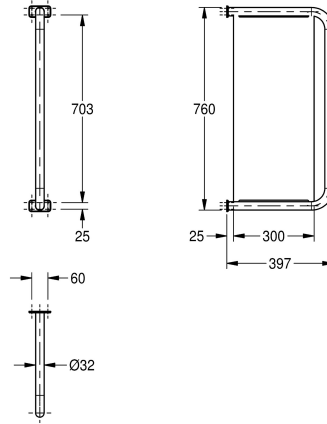


KWC CAMPUS Urinal divider

Modell-Linie: **CAMPUS | CMPX560**
WCs and urinals | Urinal divider



KWC-No.

2000056972

Dimensions 60 x 760 x 397 mm (W x H x D)

Urinal divider for wall mounting, stainless steel, surface satin finished, material thickness 1.5 mm, 32 mm pipe diameter, with two stainless steel covers for hidden mounting, includes screws and

dowels.

Dimensions 60 x 760 x 397 mm (W x H x D)

Technical Data

material	stainless steel
material code	1.4301 Chrome Nickel steel V2A
material thickness	1.5 mm
overall depth	397 mm
overall height	760 mm
overall width	81 mm
surface finish	satin finished
type of mounting	wall mounting

material	stainless steel
material code	1.4301 Chrome Nickel steel V2A
material thickness	1.5 mm
overall depth	397 mm
overall height	760 mm
overall width	81 mm
surface finish	satin finished
type of mounting	wall mounting