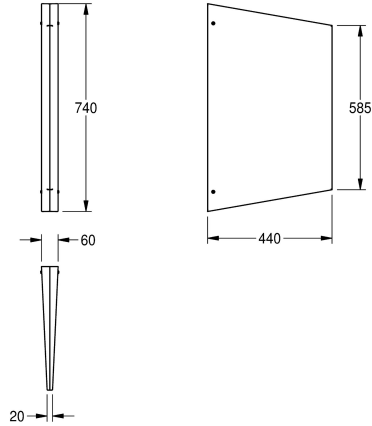


KWC CAMPUS Urinal divider

Modell-Linie: **CAMPUS | CMPX700**
WCs and urinals | Urinal divider



KWC-No.

2000056977

Dimensions 60 x 740 x 440 mm (W x H x D)

Urinal divider for wall mounting, stainless steel, surface satin finished with WL5 1 mm structure, material thickness 2 mm, hidden wall mounting, includes screws and dowels.

Dimensions 60 x 740 x 440 mm (W x H x D)

Technical Data

| |
|--------------------|
| material |
| material code |
| material thickness |
| overall depth |
| overall height |
| overall width |
| surface finish |
| type of mounting |

| |
|--------------------------------|
| stainless steel |
| 1.4301 Chrome Nickel steel V2A |
| 1 mm |
| 440 mm |
| 740 mm |
| 60 mm |
| textured |
| wall mounting |