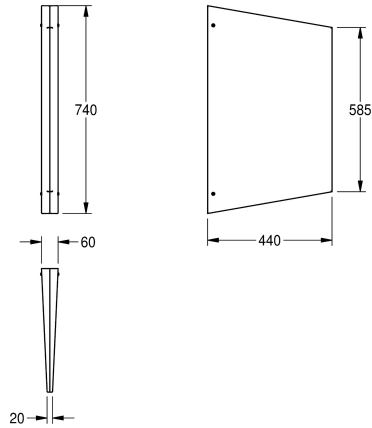


KWC CAMPUS Urinal divider

Modell-Linie: **CAMPUS | CMPX700**
WCs and urinals | Urinal divider



KWC-No.

2000056977

Dimensions 60 x 740 x 440 mm (W x H x D)

Urinal divider for wall mounting, stainless steel, surface satin finished with WL5 1 mm structure, material thickness 2 mm, hidden wall mounting, includes screws and dowels.

Dimensions 60 x 740 x 440 mm (W x H x D)

Technical Data

material
material code
material thickness
overall depth
overall height
overall width
surface finish
type of mounting

stainless steel
1.4301 Chrome Nickel steel V2A
1 mm
440 mm
740 mm
60 mm
textured
wall mounting

Spare Parts

Fixing set

2000103414

ECMPX023