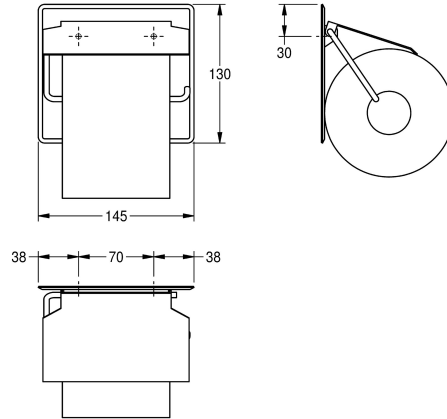


KWC

Toilet roll holder for wall mounting

Modell-Linie: ACCESSOIRES | BS677

Accessories | WC-roll holders



KWC-No.

2000057045

Dimensions 145 x 130 x 25 mm (W x H x D)

Toilet roll holder for wall mounting, stainless steel, surface satin finished, material thickness 0.8 mm, folding cover, for 1 roll with max. diameter 130 mm, includes stainless steel screws and

dowels.

Dimensions 145 x 130 x 25 mm (W x H x D)

Technical Data

maximum depth/diameter of cons	150 mm
maximum width of consumable	130 mm
filling quantity	1
filling quantity uom	rolls
lock	no lock
material	stainless steel
material code	1.4301 Chrome Nickel steel V2A
material thickness	0.8 mm
overall depth	25 mm
overall height	130 mm
overall width	145 mm
spindle	yes
surface finish	satin finished
type of fixing	screw
type of mounting	wall mounting