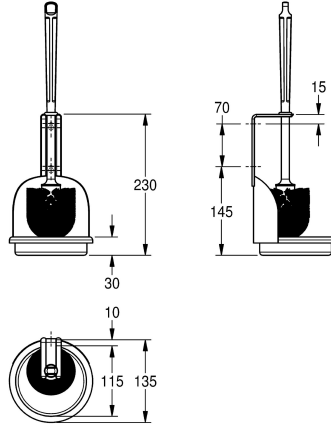


KWC Toilet brush holder

Modell-Linie: ACCESSOIRES | BS686
Accessories | Toilet brush holders



KWC-No.

2000057078

Dimensions 135 x 235 x 135 mm (W x H x D)

Toilet brush holder for wall mounting, stainless steel, surface satin finished, material thickness 0.9 mm, white nylon brush with flushing rim cleaner, integrated drip tray, brush has to be hooked in, inclusive

stainless steel screws and dowels.

Dimensions 135 x 235 x 135 mm (W x H x D)

Technical Data

brush colour
material
material code
material thickness
overall depth
overall height
overall width
surface finish
type of brush
type of fixing
type of mounting

white
stainless steel
1.4301 Chrome Nickel steel V2A
0.9 mm
135 mm
235 mm
135 mm
satin finished
nylon
screw
wall mounting

Spare Parts



Nylon toilet brush

2000100019

E-BS686



KWC

Toilet brush holder

Modell-Linie: ACCESSOIRES | BS686
Accessories | Toilet brush holders