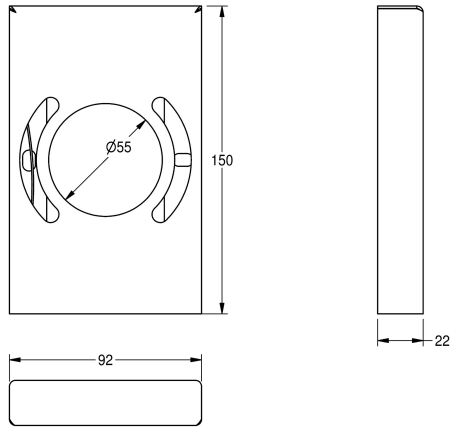


KWC Hygiene bag dispenser

Modell-Linie: ACCESSOIRES | HBD191
Accessories | Hygiene bag dispensers



KWC-No.

2000057080

Dimensions 92 x 150 x 22 mm (W x H x D)

Hygiene bag dispenser for wall mounting, stainless steel, surface satin finished with InoxPlus surface refinement for the reduction of finger marks and better cleaning characteristic (easy to clean), material thickness 1.2 mm, edges not welded, inboard lug to hold package, withdrawal from front, incl. premounted double side self-

adhesive tap and stainless steel screws and dowels, includes acetone rag to clean bonding surface.

Dimensions 95 x 150 x 24 mm (W x H x D)

Technical Data

filling quantity	30
filling quantity uom	pieces
lock	no lock
material	stainless steel
material code	1.4301 Chrome Nickel steel V2A
material thickness	1.2 mm
overall depth	24 mm
overall height	150 mm
overall width	95 mm
surface finish	satin finished
surface treatment	InoxPlus (anti fingerprint)
type of consumable	hygiene bag
type of fixing	screw - glue
type of mounting	wall mounting
type of operation	manual operation

filling quantity	30
filling quantity uom	pieces
lock	no lock
material	stainless steel
material code	1.4301 Chrome Nickel steel V2A
material thickness	1.2 mm
overall depth	24 mm
overall height	150 mm
overall width	95 mm
surface finish	satin finished
surface treatment	InoxPlus (anti fingerprint)
type of consumable	hygiene bag
type of fixing	screw - glue
type of mounting	wall mounting
type of operation	manual operation

**INOX
PLUS**

Consumables

KWC

Hygiene bag dispenser

Modell-Linie: **ACCESSOIRES | HBD191**
Accessories | Hygiene bag dispensers



Hygiene bag

2030059764
HBD191BP
