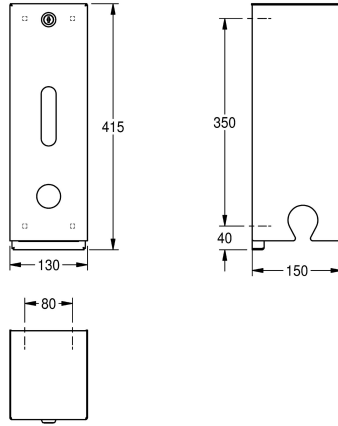


KWC HEAVY-DUTY Toilet roll holder

Modell-Linie: HEAVYDUTY | HDTX674
Accessories | WC-roll holders



KWC-No.

2000057081

Toilet roll holder, dimensions 130 x 415 x 150 mm (W x H x D)

Toilet roll holder for wall mounting, stainless steel, surface satin finished, material thickness 14 gauge (2 mm), casing is held in place by a stainless steel rod fixed to the mounting plate and a security lock, paper withdrawal over tear-off edge, for three rolls with max. 120 mm width and max. diameter 115 mm, without

spindles, reserve rolls visible, inclusive stainless steel screws and dowels.

Dimensions 130 x 415 x 150 mm (W x H x D)

Technical Data

maximum depth/diameter of cons	115 mm
maximum width of consumable	120 mm
filling quantity	3
filling quantity uom	rolls
lock	key-screw-lock
material	stainless steel
material code	1.4301 Chrome Nickel steel V2A
material thickness	2 mm
overall depth	150 mm
overall height	415 mm
overall width	130 mm
spindle	no
surface finish	satin finished
type of fixing	screw
type of mounting	wall mounting



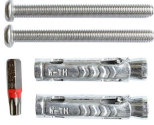
Spare Parts



KWC HEAVY-DUTY

Toilet roll holder

Modell-Linie: HEAVYDUTY | HDTX674
Accessories | WC-roll holders



HEAVY-DUTY BX protection system

2000101366
BF22HD
