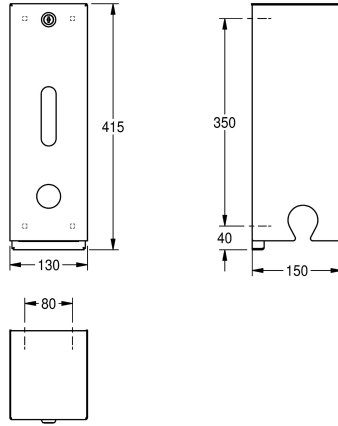


## KWC HEAVY-DUTY Toilet roll holder

Modell-Linie: HEAVYDUTY | HDTX674  
Accessories | WC-roll holders



### KWC-No.

**2000057081**

Toilet roll holder, dimensions 130 x 415 x 150 mm (W x H x D)

Toilet roll holder for wall mounting, stainless steel, surface satin finished, material thickness 14 gauge (2 mm), casing is held in place by a stainless steel rod fixed to the mounting plate and a security lock, paper withdrawal over tear-off edge, for three rolls with max. 120 mm width and max. diameter 115 mm, without

spindles, reserve rolls visible, inclusive stainless steel screws and dowels.

Dimensions 130 x 415 x 150 mm (W x H x D)

### Technical Data

maximum depth/diameter of cons	115 mm
maximum width of consumable	120 mm
filling quantity	3
filling quantity uom	rolls
lock	key-screw-lock
material	stainless steel
material code	1.4301 Chrome Nickel steel V2A
material thickness	2 mm
overall depth	150 mm
overall height	415 mm
overall width	130 mm
spindle	no
surface finish	satin finished
type of fixing	screw
type of mounting	wall mounting



### Spare Parts



**KWC HEAVY-DUTY**  
Toilet roll holder

**Modell-Linie: HEAVYDUTY | HDTX674**  
Accessories | WC-roll holders



**HEAVY-DUTY BX protection system**

---

**2000101366**  
BF22HD

---