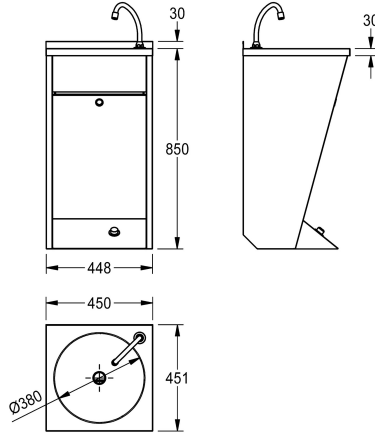


KWC ANIMA Washbasin with foot operation

Modell-Linie: ANIMA | LP21
Washbasins & Washtroughs | Wash basins



KWC-No.

2000057084

Dimensions 450 x 850 x 450 mm (W x H x D)

Single wash basin, floorstanding, wall mounting, stainless steel, surface satin finished, material thickness 1 mm, seamless welded round bowl with diameter 380 mm, rectangular shape, 35 mm tap ledge, without overflow, 1 1/4" plug waste, drainage centric, incl. premounted spout, floor standing trap cover with premounted self-

closing valve for foot operation, water temperature adjustable with valve, front cover can be removed, includes screws and dowels.

Dimensions 450 x 880 x 451 mm (W x H x D)
Bowl Dimensions 380 x 150 mm (W x H)

Technical Data

splash back height
type of basin
bowl position
bowl - bowl height
bowl finish
bowl - depth
bowl shape
bowl - width
colour
material
material code
material thickness
overall depth
overall height
overall width
overflow
rear upstand
siphon diameter
siphon included
spillway
splash back
surface finish
number of tap holes
tap hole diameter
tap hole position

30 mm
Wash basin
Center
150 mm
satin finished
380 mm
circle
380 mm
no colour
stainless steel
1.4301 Chrome Nickel steel V2A
1 mm
451 mm
880 mm
450 mm
no
no
DN 32
no
no
component of another part
satin finished
1
35 mm
right

KWC ANIMA

Washbasin with foot operation

Modell-Linie: ANIMA | LP21

Washbasins & Washtroughs | Wash basins

tap ledge	no
type of mounting	wall and floor mounting
type of waste kit	plug waste
upper edge of basin height	850 mm
waste hole position	centre
waste hole projection	225 mm
waste kit included	yes
waste size	DN 32
waste sleeve included	no

Optional Accessories



ANIMA splash back

2000100338
SB450

Spare Parts



Waste kit

2000103407
EANMX002