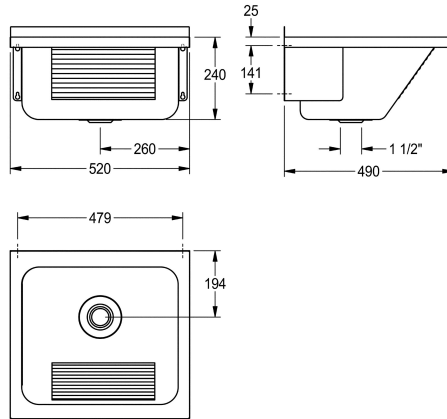


KWC SIRIUS Washtrough

Modell-Linie: SIRIUS | LTJ500
Utility sinks | Multi purpose sink



KWC-No.

2000057087

Dimensions 520 x 240 x 490 mm (W x H x D)

General purpose utility sink for wall mounting, stainless steel, surface satin finished, material thickness 0.9 mm, front panel with riffle, 1 1/2" centric plug waste, with overflow, 30 mm rear upstand, prewelded mounting brackets, inclusive stainless steel screws and

dowels.

Dimensions 520 x 270 x 490 mm (W x H x D)

Technical Data

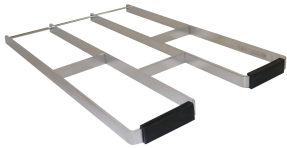
splash back height	30 mm
bowl position	Center
bowl construction	radius corners
bowl - bowl height	240 mm
bowl finish	satin finished
bowl - depth	400 mm
bowl - width	450 mm
brushes	Without brushes
drainer or storage	no
grid	no
material	stainless steel
material code	1.4301 Chrome Nickel steel V2A
material thickness	0.9 mm
number of waste holes	1
outlet size	G 1 1/2 B
overall depth	490 mm
overall height	270 mm
overall width	520 mm
overflow	yes
rear upstand	no
wash riffle	yes
spillway	yes
splash back	no
sump	no
sump basket	no
surface finish	satin finished

KWC SIRIUS Washtrough

Modell-Linie: SIRIUS | LTJ500
Utility sinks | Multi purpose sink

tap ledge	no
type of mounting	wall mounting
type of utility sink	cleaner sink
type of waste kit	perforated waste
number of wash places	1
waste hole position	centre
waste hole projection	194 mm
waste kit included	yes
waste size	DN 40

Optional Accessories



Folding grid

2000102678
ZSIRX001