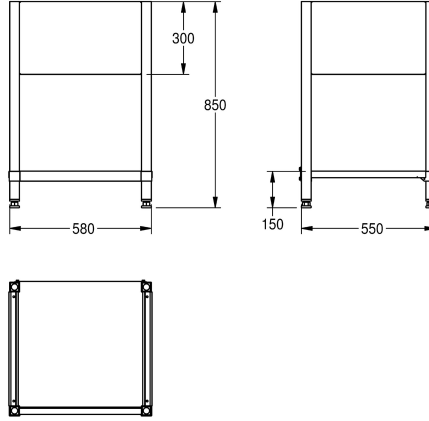


KWC MAXIMA Frame for Maxima

Modell-Linie: MAXIMA | MAXF60-60
Catering sinks | Complementary parts catering



KWC-No.
2000057101 Frame for screw fixings made of chromium nickel steel
2000057104 Frame for screw fixings made of chromium nickel steel
2000057106 Frame for screw fixings made of chromium nickel steel
2000057108 Frame for screw fixings made of chromium nickel steel
2000057112 Frame for screw fixings made of chromium nickel steel
2000057114 Frame for screw fixings made of chromium nickel steel
2000057117 Frame for screw fixings made of chromium nickel steel
2000057118 Frame for screw fixings made of chromium nickel steel
2000057120 Frame for screw fixings made of chromium nickel steel
2000057122 Frame for screw fixings made of chromium nickel steel
2000057124 Frame for screw fixings made of chromium nickel steel
2000057126 Frame for screw fixings made of chromium nickel steel

overall width
1,180 mm
1,180 mm
1,380 mm
1,380 mm
1,580 mm
1,980 mm
1,980 mm
2,580 mm
2,580 mm
580 mm
680 mm
680 mm

Underframe to screw with KWC commercial sink, stainless steel, surface satin finished, material thickness 1 mm, with 300 mm cover, feet 40 x 40 mm and height adjustable to 25 mm, cross stud on

backside for better stability, inclusive mounting set.
For MAXS sinks (600 mm deep, 600 mm wide)

Technical Data

material
material code
material thickness
overall depth
overall height
overall width
surface finish
type of mounting

stainless steel
1.4301 Chrome Nickel steel V2A
1 mm
550 mm
850 mm
580 mm
satin finished
no mounting