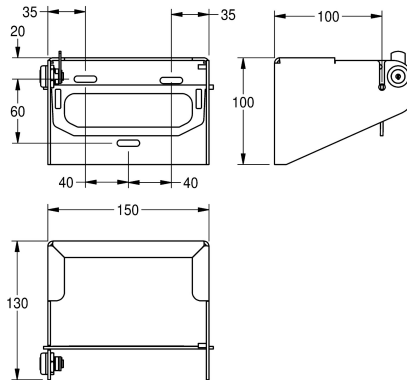
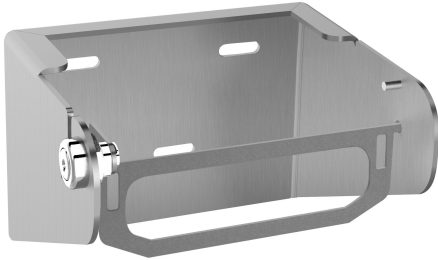


## KWC

### Toilet roll holder

Modell-Linie: ACCESSOIRES | CHR675  
Accessories | WC-roll holders



#### KWC-No.

**2000057143**

Dimensions 150 x 100 x 130 mm (W x H x D)

Toilet roll holder for wall mounting, stainless steel, surface satin finished, material thickness 2 mm, cylinder lock with KWC standard key, for 1 roll with max. diameter 140 mm, thief protected spindle, controlled paper consumption due to spindle stop mechanism,

includes stainless steel screws and dowels.

Dimensions 150 x 100 x 130 mm (W x H x D)

#### Technical Data

maximum depth/diameter of cons	140 mm
maximum width of consumable	140 mm
filling quantity	1
filling quantity uom	rolls
lock	key-lock
material	stainless steel
material code	1.4301 Chrome Nickel steel V2A
material thickness	2 mm
overall depth	130 mm
overall height	100 mm
overall width	150 mm
spindle	yes
surface finish	satin finished
type of fixing	screw
type of mounting	wall mounting