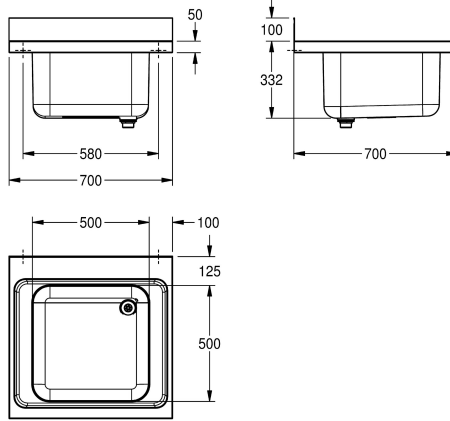


KWC MAXIMA Commercial sink

Modell-Linie: MAXIMA | MAXL100-70
Catering sinks | Catering sinks



KWC-No.

2000057144

Dimensions 700 x 432 x 700 mm (W x H x D) Washbasin
dimensions 500 x 300 x 500 mm (W x H x D)

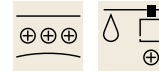
Commercial sink for inset or wall mounting, stainless steel, surface satin finished, material thickness 1 mm, deep drawn seamless welded bowl with dimensions, without overflow and 100 mm tap ledge, 1 1/2" waste with two part overflow tube consisting of perforated stainless steel tube and plastic tube, 100 mm rear

upstand, wall mounting brackets optional, drilling holes for wall mounting prelasered.

Dimensions 700 x 432 x 700 mm (W x H x D)

Technical Data

bowl - bowl height	300 mm
bowl finish	satin finished
bowl - depth	500 mm
bowl - width	500 mm
drainer or storage	no
material	stainless steel
material code	1.4301 Chrome Nickel steel V2A
material thickness	1 mm
noise prevention	yes
overall depth	700 mm
overall height	432 mm
overall width	700 mm
rear upstand	yes
surface finish	satin finished
tap ledge	yes
type of mounting	mounted on product
waste hole position	right back corner
waste hole projection	216 mm
waste kit included	yes
waste size	DN 40



Optional Accessories

KWC MAXIMA Commercial sink

Modell-Linie: MAXIMA | MAXL100-70
Catering sinks | Catering sinks



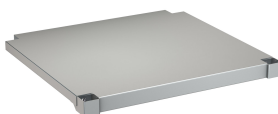
MAXIMA Bracket

2000057094
MAXB700



MAXIMA Frame for Maxima

2000057126
MAXF70-70



MAXIMA shelf for Maxima

2000100002
MAXT70-70
