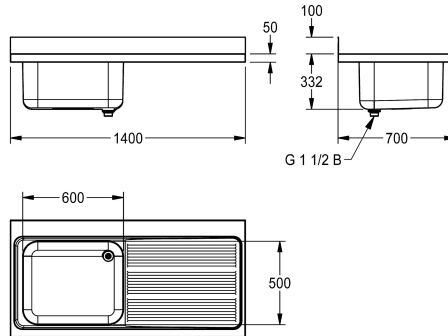


KWC MAXIMA

Commercial sink, with space for dishwasher

Modell-Linie: MAXIMA | MAXL112-140DW

Catering sinks | Catering sinks



KWC-No.

2000057202

Dimensions 1400 x 432 x 700 mm (W x H x D) Washbasin
dimensions 600 x 300 x 500 mm (W x H x D)

Commercial sink for screwing to underframe, stainless steel, surface satin finished, material thickness 1 mm, deep drawn seamless welded bowl, without overflow and 100 mm tap ledge, 1 1/2" waste with two part overflow tube consisting of perforated stainless steel tube and plastic tube, drain board with riffle and

slanted to bowl, drain board with reinforced stainless steel bracket, 100 mm rear upstand, drilling holes for wall mounting prelasered.

Dimensions 1400 x 432 x 700 mm (W x H x D)

Technical Data

bowl - bowl height	300 mm
bowl finish	satin finished
bowl - depth	500 mm
bowl - width	600 mm
drainer position	right
drainer or storage	drainer
drainer / storage board quanti	1-
material	stainless steel
material code	1.4301 Chrome Nickel steel V2A
material thickness	1 mm
noise prevention	yes
overall depth	700 mm
overall height	432 mm
overall width	1,400 mm
rear upstand	yes
surface finish	satin finished
tap ledge	yes
type of mounting	mounted on product
waste hole position	right back corner
waste hole projection	216 mm
waste kit included	yes
waste size	DN 40