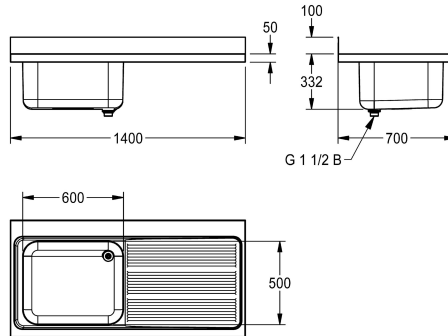


KWC MAXIMA

Commercial sink, with space for dishwasher

Modell-Linie: MAXIMA | MAXL112-140DW

Catering sinks | Catering sinks



KWC-No.

2000057202

Dimensions 1400 x 432 x 700 mm (W x H x D) Washbasin
dimensions 600 x 300 x 500 mm (W x H x D)

Commercial sink for screwing to underframe, stainless steel, surface satin finished, material thickness 1 mm, deep drawn seamless welded bowl, without overflow and 100 mm tap ledge, 1 1/2" waste with two part overflow tube consisting of perforated stainless steel tube and plastic tube, drain board with riffle and

slanted to bowl, drain board with reinforced stainless steel bracket, 100 mm rear upstand, drilling holes for wall mounting prelasered.

Dimensions 1400 x 432 x 700 mm (W x H x D)

Technical Data

bowl - bowl height

300 mm

bowl finish

satin finished

bowl - depth

500 mm

bowl - width

600 mm

drainer position

right

drainer or storage

drainer

drainer / storage board quanti

yes

material

stainless steel

material code

1.4301 Chrome Nickel steel V2A

material thickness

1 mm

noise prevention

yes

overall depth

700 mm

overall height

432 mm

overall width

1,400 mm

rear upstand

yes

surface finish

satin finished

tap ledge

yes

type of mounting

mounted on product

waste hole position

right back corner

waste hole projection

216 mm

waste kit included

yes

waste size

DN 40