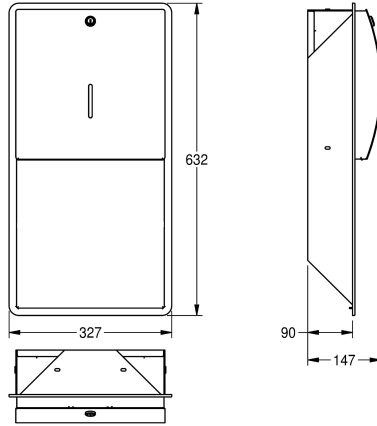


KWC STRATOS

Paper towel dispenser for recessed mounting

Modell-Linie: STRATOS | STRX600E

Accessories | Paper towel dispensers



KWC-No.

2000057207

Dimensions 327 x 632 x 147 mm (W x H x D)

Paper towel dispenser for recessed mounting, stainless steel, surface satin finished, front with InoxPlus surface refinement for the reduction of finger marks and better cleaning characteristics (easy to clean), material thickness 1.5 mm, curved front cover, cylinder lock with KWC standard key, inspection window on front, loading

capacity 300 - 400 pcs. of paper depending on convolution, includes stainless steel screws and dowels.

Dimensions 327 x 632 x 147 mm (W x H x D)

Technical Data

filling quantity
filling quantity uom
lock
material
material code
material thickness
overall depth
overall height
overall width
surface finish
surface treatment
type of consumable
type of fixing
type of mounting
type of operation

400
towels
key-lock
stainless steel
1.4301 Chrome Nickel steel V2A
1.5 mm
147 mm
632 mm
327 mm
satin finished
InoxPlus (anti fingerprint)
paper towel
screw
recessed mounting
manual operation