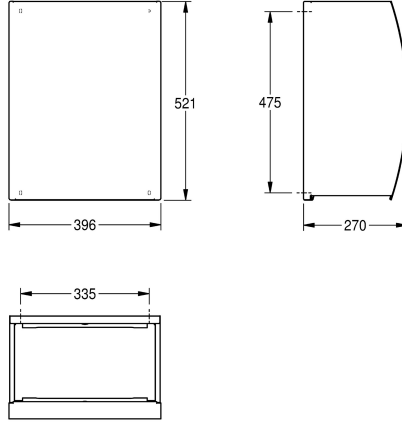


KWC STRATOS Waste bin for wall mounting

Modell-Linie: STRATOS | STRX607
Accessories | Waste bins



KWC-No.

2000057230

Waste bin for wall mounting Dimensions 396 x 521 x 270 mm (W x H x D)

Waste bin for wall mounting, stainless steel, surface satin finished, front with InoxPlus surface refinement for the reduction of finger marks and better cleaning characteristics (easy to clean), material thickness 1.5 mm, curved front cover, cylinder lock with KWC

standard key, approx. 45 liter capacity, integrated bag holder, includes stainless steel screws and dowels.

Dimensions 396 x 521 x 270 mm (W x H x D)

Technical Data

bag holder
filling volume
lid
lock
material
material code
material thickness
overall depth
overall height
overall width
surface treatment
type of fixing
type of mounting

yes
45 Liter
optional
key-lock
stainless steel
1.4301 Chrome Nickel steel V2A
1.5 mm
270 mm
521 mm
396 mm
InoxPlus (anti fingerprint)
screw
wall mounting

INOX PLUS

Spare Parts





KWC STRATOS

Waste bin for wall mounting

Modell-Linie: STRATOS | STRX607
Accessories | Waste bins

Mounting bracket bottom

2030007972
ESTRX0003
