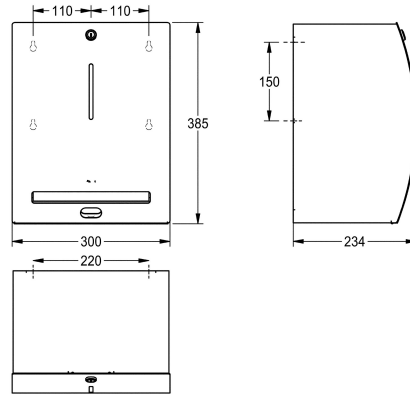


## KWC STRATOS

Electronic paper towel dispenser for wall mounting

Modell-Linie: STRATOS | STRX630  
Accessories | Paper towel dispensers



### KWC-No.

**2000057390**

Dimensions 300 x 385 x 234 mm (W x H x D)

Touch free paper towel dispenser for wall mounting, stainless steel, surface satin finished, front with InoxPlus surface refinement for the reduction of finger marks and better cleaning characteristics (easy to clean), material thickness 1.5 mm, curved front cover, cylinder lock with KWC standard key, infrared sensor activity for non-touch operation, integrated tear-off edge, incl. 4 pcs. standard D 1.5 V

batteries, maintenance free mechanic and easy paper roll change mechanism, for rolls with max. width 205 mm and max. diameter 200 mm, paper length adjustable to 200, 250 and 300 mm, includes stainless steel screws and dowels.

Dimensions 300 x 385 x 234 mm (W x H x D)

### Technical Data

maximum depth/diameter of cons	220 mm
maximum width of consumable	205 mm
filling quantity	1
filling quantity uom	rolls
lock	key-lock
material	stainless steel
material code	1.4301 Chrome Nickel steel V2A
material thickness	1.5 mm
number of batteries	4
overall depth	234 mm
overall height	385 mm
overall width	300 mm
surface finish	satin finished
surface treatment	InoxPlus (anti fingerprint)
type of batteries	D Mono battery 1.5 V
type of consumable	paper roll
type of fixing	screw
type of mounting	wall mounting
type of operation	sensor operation

**INOX PLUS**