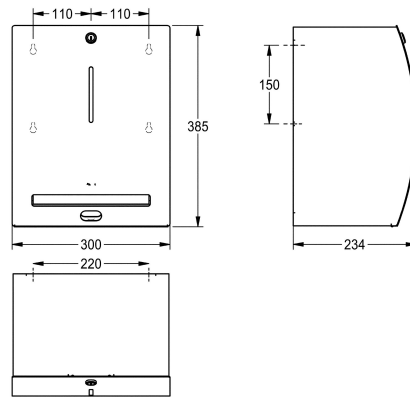


KWC STRATOS

Electronic paper towel dispenser for wall mounting

Modell-Linie: STRATOS | STRX630

Accessories | Paper towel dispensers



KWC-No.

2000057390

Dimensions 300 x 385 x 234 mm (W x H x D)

Touch free paper towel dispenser for wall mounting, stainless steel, surface satin finished, front with InoxPlus surface refinement for the reduction of finger marks and better cleaning characteristics (easy to clean), material thickness 1.5 mm, curved front cover, cylinder lock with KWC standard key, infrared sensor activity for non-touch operation, integrated tear-off edge, incl. 4 pcs. standard D 1.5 V

batteries, maintenance free mechanic and easy paper roll change mechanism, for rolls with max. width 205 mm and max. diameter 200 mm, paper length adjustable to 200, 250 and 300 mm, includes stainless steel screws and dowels.

Dimensions 300 x 385 x 234 mm (W x H x D)

Technical Data

| | |
|--------------------------------|--------------------------------|
| maximum depth/diameter of cons | 220 mm |
| maximum width of consumable | 205 mm |
| filling quantity | 1 |
| filling quantity uom | rolls |
| lock | key-lock |
| material | stainless steel |
| material code | 1.4301 Chrome Nickel steel V2A |
| material thickness | 1.5 mm |
| number of batteries | 4 |
| overall depth | 234 mm |
| overall height | 385 mm |
| overall width | 300 mm |
| surface finish | satin finished |
| surface treatment | InoxPlus (anti fingerprint) |
| type of batteries | D Mono battery 1.5 V |
| type of consumable | paper roll |
| type of fixing | screw |
| type of mounting | wall mounting |
| type of operation | sensor operation |

INOX PLUS