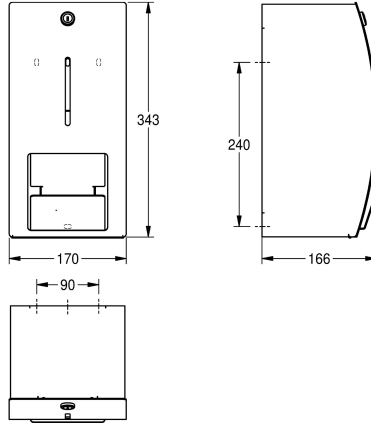


KWC STRATOS Toilet roll holder for wall mounting

Modell-Linie: STRATOS | STRX671L
Accessories | WC-roll holders



KWC-No.

2000057397

Dimensions 156 x 305 x 141 mm (W x H x D)

Double toilet roll holder without spindle system for wall mounting, stainless steel, surface satin finished, front with InoxPlus surface refinement for the reduction of finger marks and better cleaning characteristics (easy to clean), material thickness 1.5 mm, curved front cover, cylinder lock with KWC standard key, for 2 rolls with

max. diameter 140 mm, second roll will be released after consumption of first roll, includes stainless steel screws and dowels.

Dimensions 170 x 343 x 166 mm (W x H x D)

Technical Data

maximum depth/diameter of cons	140 mm
maximum width of consumable	115 mm
filling quantity	2
filling quantity uom	rolls
lock	key-lock
material	stainless steel
material code	1.4301 Chrome Nickel steel V2A
material thickness	1.5 mm
overall depth	166 mm
overall height	343 mm
overall width	170 mm
spindle	no
surface treatment	InoxPlus (anti fingerprint)
type of fixing	screw
type of mounting	wall mounting

**INOX
PLUS**