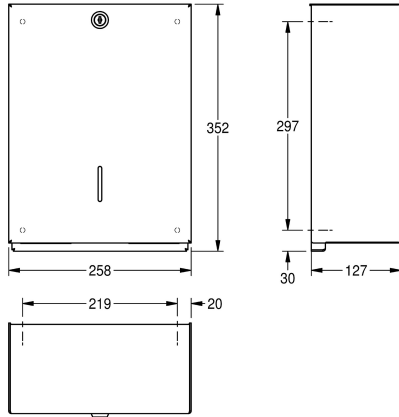


KWC HEAVY-DUTY Paper towel dispenser

Modell-Linie: HEAVYDUTY | TD350
Accessories | Paper towel dispensers



KWC-No.

2000057407

Paper towel dispenser, dimensions 258 x 352 x 127 mm (W x H x D)

Paper towel dispenser for wall mounting, stainless steel, surface satin finished, material thickness 14 gauge (2 mm), complete closed casing, casing is held in place by a stainless steel rod fixed to the mounting plate and a security lock, loading capacity 400 -

600 pcs. of paper depending on convolution, includes stainless steel screws and dowels.

Dimensions 258 x 352 x 127 mm (W x H x D)

Technical Data

filling quantity
filling quantity uom
lock
material
material code
material thickness
overall depth
overall height
overall width
surface finish
type of consumable
type of fixing
type of mounting
type of operation

500
towels
key-screw-lock
stainless steel
1.4301 Chrome Nickel steel V2A
2 mm
127 mm
352 mm
258 mm
satin finished
paper towel
screw
wall mounting
manual operation



Spare Parts





KWC HEAVY-DUTY Paper towel dispenser

Modell-Linie: HEAVYDUTY | TD350
Accessories | Paper towel dispensers

HEAVY-DUTY BX protection system

2000101366
BF22HD

Consumables



Paper towels

2030072378
FH70P
