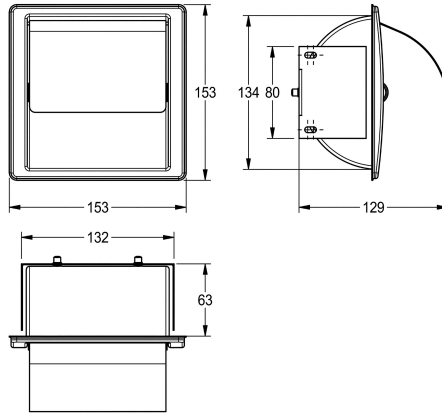


KWC STRATOS

Toilet roll holder for recessed mounting

Modell-Linie: STRATOS | STRX673E

Accessories | WC-roll holders



KWC-No.

2000057422

Dimensions 153 x 153 x 129 mm (W x H x D)

STRATOS toilet roll holder for recessed mounting, stainless steel, surface satin finished, material thickness 0.8 mm, curved hinged cover, for one roll with maximum width 130 mm, including mounting

material.

Dimensions 153 x 153 x 129 mm (W x H x D)

Technical Data

maximum depth/diameter of cons

120 mm

maximum width of consumable

120 mm

filling quantity

1

filling quantity uom

rolls

lock

no lock

material

stainless steel

material code

1.4301 Chrome Nickel steel V2A

material thickness

0.8 mm

overall depth

129 mm

overall height

153 mm

overall width

153 mm

spindle

yes

surface finish

satin finished

type of fixing

screw

type of mounting

recessed mounting