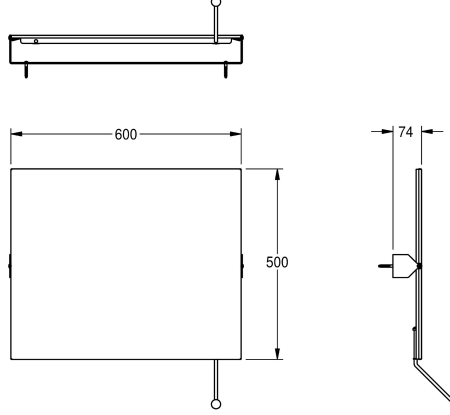


KWC CONTINA Swingable mirror

Modell-Linie: CONTINA | CNTX91
Accessories | Mirrors



KWC-No.

2000057509

Dimensions 600 x 500 x 74 mm (W x H x D)

Swingable mirror for wall mounting, mirror and brackets stainless steel, mirror with a reflective polished surface, brackets surface satin finished, material thickness mirror 8 mm, material thickness brackets 4 mm, reinforced with polystyrene plate and hidden fixings, reinforced 1.5 mm stainless steel bracket on backside,

swingable due to premounted lever, lever can be mounted right or left, includes stainless steel screws and dowels.

Dimensions 600 x 500 x 74 mm (W x H x D)

Technical Data

hidden fixing
material
material code
material thickness
overall depth
overall height
overall width
reinforcement
surface finish
type of fixing
type of mounting

no
stainless steel
1.4301 Chrome Nickel steel V2A
1 mm
74 mm
500 mm
600 mm
synthetic
high polished
clamp
wall mounting