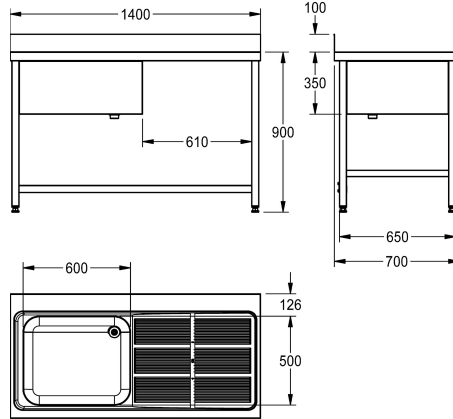


KWC MAXIMA Commercial sink with frame

Modell-Linie: MAXIMA | MAXL140-70FDW
Catering sinks | Catering sinks



KWC-No.

2000057560

Dimensions 1400 x 900 x 700 mm (W x H x D) Washbasin
dimensions 600 x 300 x 500 mm (W x H x D)

Commercial sink and underframe welded together, stainless steel, surface satin finished, material thickness 1 mm, deep drawn seamless welded bowl, without overflow and 80 mm tap ledge, 1 1/2" waste with two part overflow tube consisting of perforated stainless steel tube and plastic tube, drain board with riffle and slanted to bowl, drain board with reinforced stainless steel bracket,

100 mm rear upstand, underframe with 300 mm cover, cover with cut out for dishwasher, feet 40 x 40 mm and height adjustable to 25 mm, cross stud on backside for better stability, drilling holes for wall mounting prelasered.

Dimensions 1400 x 1000 x 700 mm (W x H x D)

Technical Data

bowl - bowl height
bowl finish
bowl - depth
bowl - width
drainer position
drainer or storage
drainer / storage board quanti
material
material code
material thickness
noise prevention
overall depth
overall height
overall width
rear upstand
surface finish
tap ledge
type of mounting
waste hole position
waste hole projection
waste kit included
waste size

300 mm
satin finished
600 mm
500 mm
right
drainer
1-
stainless steel
1.4301 Chrome Nickel steel V2A
1 mm
yes
700 mm
1,000 mm
1,400 mm
yes
satin finished
yes
floor mounting
right back corner
216 mm
yes
DN 40

