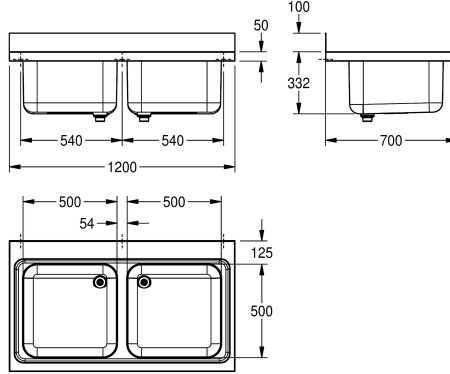


KWC MAXIMA Commercial sink

Modell-Linie: MAXIMA | MAXL200-120
Catering sinks | Catering sinks



KWC-No.

2000057561

Dimensions 1200 x 432 x 700 mm (W x H x D) Washbasin
dimensions 500 x 300 x 500 mm (W x H x D)

Commercial sink for inset or wall mounting, stainless steel, surface satin finished, material thickness 1 mm, two deep drawn seamless welded bowls, without overflow and 100 mm tap ledge, 1 1/2" waste with two part overflow tube consisting of perforated stainless steel tube and plastic tube, 100 mm rear upstand, wall

mounting brackets optional, drilling holes for wall mounting prelasered.

Dimensions 1200 x 432 x 700 mm (W x H x D)

Technical Data

bowl - bowl height

300 mm

bowl finish

satin finished

bowl - depth

500 mm

bowl - width

500 mm

drainer or storage

no

material

stainless steel

material code

1.4301 Chrome Nickel steel V2A

material thickness

1 mm

noise prevention

yes

overall depth

700 mm

overall height

432 mm

overall width

1,200 mm

rear upstand

yes

surface finish

satin finished

tap ledge

yes

type of mounting

mounted on product

waste hole position

right back corner

waste hole projection

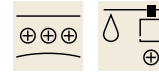
216 mm

waste kit included

yes

waste size

DN 40



Optional Accessories

KWC MAXIMA Commercial sink

Modell-Linie: MAXIMA | MAXL200-120
Catering sinks | Catering sinks



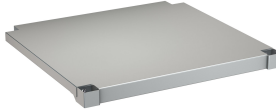
MAXIMA Bracket

2000057094
MAXB700



MAXIMA Frame for Maxima

2000057104
MAXF120-70



MAXIMA Shelf for Maxima

2000057755
MAXT120-70
