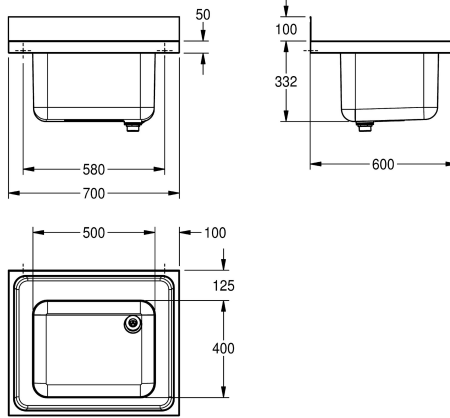


KWC MAXIMA Commercial sink

Modell-Linie: MAXIMA | MAXS 100-70
Catering sinks | Catering sinks



KWC-No.

2000057639

Dimensions 700 x 432 x 600 mm (W x H x D) Washbasin
dimensions 500 x 300 x 400 mm (W x H x D)

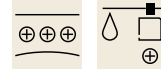
Commercial sink for inset or wall mounting, stainless steel, surface satin finished, material thickness 1 mm, deep drawn seamless welded bowl, without overflow and 80 mm tap ledge, 1 1/2" waste with two part overflow tube consisting of perforated stainless steel

tube and plastic tube, 100 mm rear upstand, wall mounting brackets optional, drilling holes for wall mounting prelasered.

Dimensions 700 x 432 x 600 mm (W x H x D)

Technical Data

| | |
|-----------------------|--------------------------------|
| bowl - bowl height | 300 mm |
| bowl finish | satin finished |
| bowl - depth | 400 mm |
| bowl - width | 500 mm |
| drainer or storage | no |
| material | stainless steel |
| material code | 1.4301 Chrome Nickel steel V2A |
| material thickness | 1 mm |
| noise prevention | yes |
| overall depth | 600 mm |
| overall height | 432 mm |
| overall width | 700 mm |
| rear upstand | yes |
| surface finish | satin finished |
| tap ledge | yes |
| type of mounting | mounted on product |
| waste hole position | right back corner |
| waste hole projection | 221 mm |
| waste kit included | yes |
| waste size | DN 40 |



Optional Accessories

KWC MAXIMA Commercial sink

Modell-Linie: MAXIMA | MAXS 100-70
Catering sinks | Catering sinks



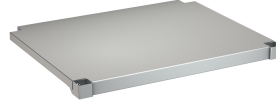
MAXIMA Bracket

2000057092
MAXB600



MAXIMA Frame for Maxima

2000057124
MAXF70-60



MAXIMA shelf for Maxima

2000100003
MAXT70-60
