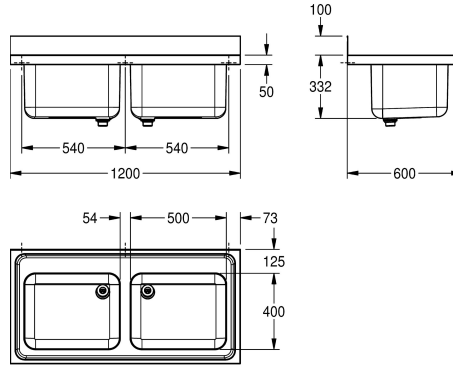


KWC MAXIMA Commercial sink

Modell-Linie: MAXIMA | MAXS 200-120
Catering sinks | Catering sinks



KWC-No.

2000057702

Dimensions 1200 x 432 x 600 mm (W x H x D) Washbasin
dimensions 500 x 300 x 400 mm (W x H x D)

Commercial sink and underframe welded together, stainless steel, surface satin finished, material thickness 1 mm, two deep drawn seamless welded bowls, without overflow and 80 mm tap ledge, 1 1/2" waste with two part overflow tube consisting of perforated stainless steel tube and plastic tube, 100 mm rear upstand,

underframe with 300 mm cover, feet 40 x 40 mm and height adjustable to 25 mm, cross stud on backside for better stability, drilling holes for wall mounting prelasered.

Dimensions 1200 x 432 x 600 mm (W x H x D)

Technical Data

bowl - bowl height
bowl finish
bowl - depth
bowl - width
drainer or storage
material
material code
material thickness
noise prevention
overall depth
overall height
overall width
rear upstand
surface finish
tap ledge
type of mounting
waste hole position
waste hole projection
waste kit included
waste size

300 mm
satin finished
400 mm
500 mm
no
stainless steel
1.4301 Chrome Nickel steel V2A
1 mm
yes
600 mm
432 mm
1,200 mm
yes
satin finished
yes
mounted on product
left back corner
221 mm
yes
DN 40



Optional Accessories

KWC MAXIMA Commercial sink

Modell-Linie: MAXIMA | MAXS 200-120
Catering sinks | Catering sinks



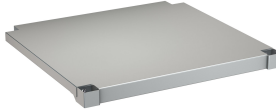
MAXIMA Bracket

2000057092
MAXB600



MAXIMA Frame for Maxima

2000057101
MAXF120-60



MAXIMA Shelf for Maxima

2000057716
MAXT120-60
