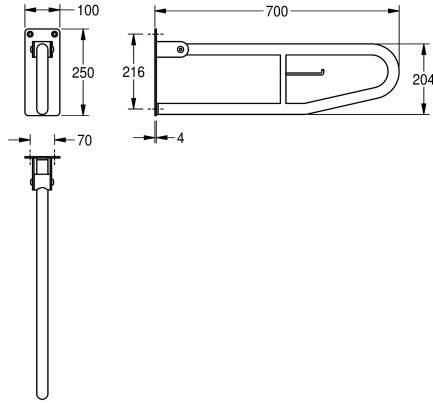
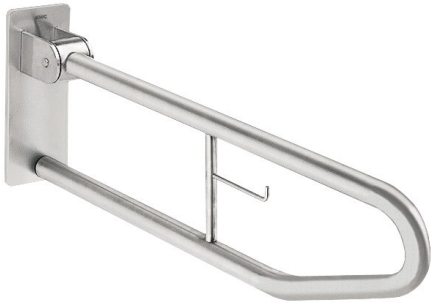


KWC CONTINA Foldable grab

Modell-Linie: CONTINA | CNTX70C
Grab rails | Grab rail



KWC-No.

2000103669

Dimensions 100 x 249 x 850 mm (W x H x D)

2000057751

Lenght 700 mm

overall depth

850 mm

700 mm

Foldable grab rail with toilet roll holder for wall mounting, stainless steel, surface satin finished, rough polishing for better surface feel, 32 mm pipe diameter, material thickness 1.2 mm, integrated toilet roll holder, prevention against unmeant folding, gum rubber stop

absorber, 4 mm thick mounting plate with three fixing holes, includes stainless steel screws and dowels.

Lenght 700 mm

Technical Data

back
bending angle
colour
number of fixing points
hidden fixing
hinged
material
material code
material thickness
overall depth
overall height
overall width
pipe diameter
surface finish
type of fixing
type of grab rail
type of mounting

no
180 Degree
No colour
1
no
yes
stainless steel
1.4301 Chrome Nickel steel V2A
1.2 mm
700 mm
249 mm
100 mm
32 mm
satin finished
screw
support bar
wall mounting