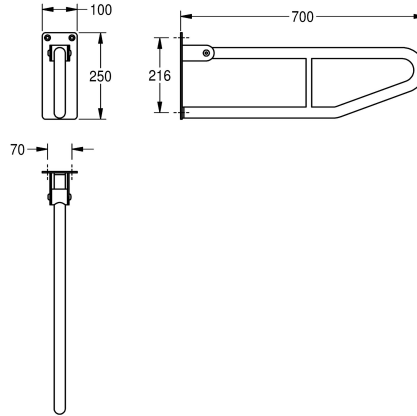


KWC CONTINA Foldable grab

Modell-Linie: CONTINA | CNTX70D
Grab rails | Grab rail



KWC-No.

2000103670

Dimensions 100 x 250 x 850 mm (W x H x D)

2000057753

Lenght 600 mm

2000057752

Lenght 700 mm

overall depth

850 mm

600 mm

700 mm

Foldable grab rail without toilet roll holder for wall mounting, stainless steel, surface satin finished, rough polishing for better surface feel, 32 mm pipe diameter, material thickness 1.2 mm, prevention against unmeant folding, gum rubber stop absorber, 4

mm thick mounting plate with three fixing holes, includes stainless steel screws and dowels.

Length 700 mm

Technical Data

back

no

bending angle

180 Degree

colour

No colour

number of fixing points

1

hidden fixing

no

hinged

yes

material

stainless steel

material code

1.4301 Chrome Nickel steel V2A

material thickness

1.2 mm

overall depth

700 mm

overall height

250 mm

overall width

100 mm

pipe diameter

32 mm

surface finish

satin finished

type of fixing

screw

type of grab rail

support bar

type of mounting

wall mounting