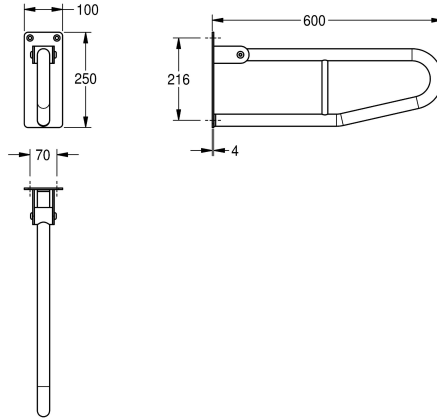


KWC CONTINA Foldable grab

Modell-Linie: CONTINA | CNTX70E
Grab rails | Grab rail



KWC-No.

2000103670

Dimensions 100 x 250 x 850 mm (W x H x D)

2000057753

Lenght 600 mm

2000057752

Lenght 700 mm

overall depth

850 mm

600 mm

700 mm

Foldable grab rail without toilet roll holder for wall mounting, stainless steel, surface satin finished, rough polishing for better surface feel, 32 mm pipe diameter, material thickness 1.2 mm, prevention against unmeant folding, gum rubber stop absorber, 4

mm thick mounting plate with three fixing holes, includes stainless steel screws and dowels.

Lenght 600 mm

Technical Data

back	no
bending angle	180 Degree
colour	no colour
number of fixing points	1
hidden fixing	no
hinged	yes
material	stainless steel
material code	1.4301 Chrome Nickel steel V2A
material thickness	1.2 mm
overall depth	600 mm
overall height	250 mm
overall width	100 mm
pipe diameter	32 mm
surface finish	satin finished
type of fixing	screw
type of grab rail	support bar
type of mounting	wall mounting