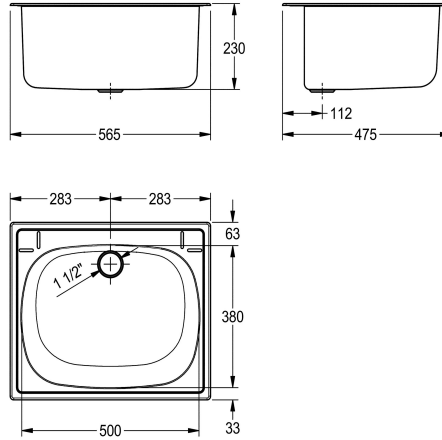


KWC SIRIUS

Utility sink

Modell-Linie: SIRIUS | BS340

Utility sinks | Multi purpose sink



KWC-No.

2000057989

Dimensions 560 x 230 x 470 mm (W x H x D)

General purpose sink for inset mounting, stainless steel, surface satin finished, material thickness 1 mm, seamless welded bowl with dimensions 500 x 380 x 230 mm, 1 1/2" plug waste with plastic overflow pipe, drainage back centric, includes washer and clamps

for inset mounting.

Outcut diameter 540 x 450 mm
Dimensions 565 x 230 x 475 mm (W x H x D)

Technical Data

bowl position
bowl construction
bowl - bowl height
bowl finish
bowl - depth
bowl - width
brushes
drainer or storage
grid
material
material code
material thickness
number of waste holes
outlet size
overall depth
overall height
overall width
overflow
rear upstand
wash riffle
spillway
splash back
sump
sump basket
surface finish
tap ledge

Center
radius corners
230 mm
satin finished
500 mm
380 mm
without brushes
no
no
stainless steel
1.4301 Chrome Nickel steel V2A
1 mm
1
G 1 1/2 B
475 mm
230 mm
565 mm
standpipe overflow
yes
no
no
no
no
no
no
satin finished
no



KWC SIRIUS

Utility sink

Modell-Linie: SIRIUS | BS340

Utility sinks | Multi purpose sink

type of mounting	inset mounting
type of utility sink	multi purpose sink
type of waste kit	standpipe strainer
number of wash places	1
waste hole position	centre back
waste hole projection	112 mm
waste kit included	yes
waste size	DN 40