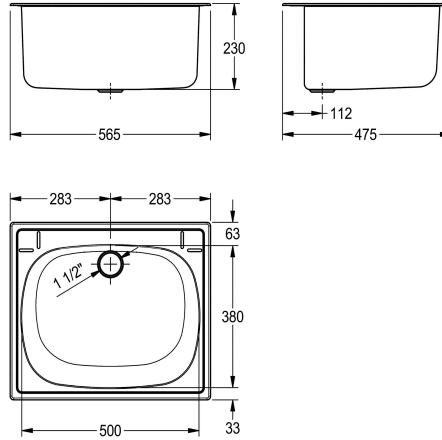


## KWC SIRIUS

### Utility sink

Modell-Linie: SIRIUS | BS340

Utility sinks | Multi purpose sink



#### KWC-No.

**2000057989**

Dimensions 560 x 230 x 470 mm (W x H x D)

General purpose sink for inset mounting, stainless steel, surface satin finished, material thickness 1 mm, seamless welded bowl with dimensions 500 x 380 x 230 mm, 1 1/2" plug waste with plastic overflow pipe, drainage back centric, includes washer and clamps

for inset mounting.

Outcut diameter 540 x 450 mm  
Dimensions 565 x 230 x 475 mm (W x H x D)

#### Technical Data

|                       |
|-----------------------|
| bowl position         |
| bowl construction     |
| bowl - bowl height    |
| bowl finish           |
| bowl - depth          |
| bowl - width          |
| brushes               |
| drainer or storage    |
| grid                  |
| material              |
| material code         |
| material thickness    |
| number of waste holes |
| outlet size           |
| overall depth         |
| overall height        |
| overall width         |
| overflow              |
| rear upstand          |
| wash riffle           |
| spillway              |
| splash back           |
| sump                  |
| sump basket           |
| surface finish        |
| tap ledge             |

|                                |
|--------------------------------|
| center                         |
| radius corners                 |
| 230 mm                         |
| satin finished                 |
| 500 mm                         |
| 380 mm                         |
| Without brushes                |
| no                             |
| no                             |
| stainless steel                |
| 1.4301 Chrome Nickel steel V2A |
| 1 mm                           |
| 1                              |
| G 1 1/2 B                      |
| 475 mm                         |
| 230 mm                         |
| 565 mm                         |
| standpipe overflow             |
| yes                            |
| no                             |
| no                             |
| no                             |
| no                             |
| no                             |
| no                             |
| satin finished                 |
| no                             |



## KWC SIRIUS

### Utility sink

**Modell-Linie: SIRIUS | BS340**

Utility sinks | Multi purpose sink

|                       |                    |
|-----------------------|--------------------|
| type of mounting      | inset mounting     |
| type of utility sink  | multi purpose sink |
| type of waste kit     | standpipe strainer |
| number of wash places | 1                  |
| waste hole position   | centre back        |
| waste hole projection | 112 mm             |
| waste kit included    | yes                |
| waste size            | DN 40              |