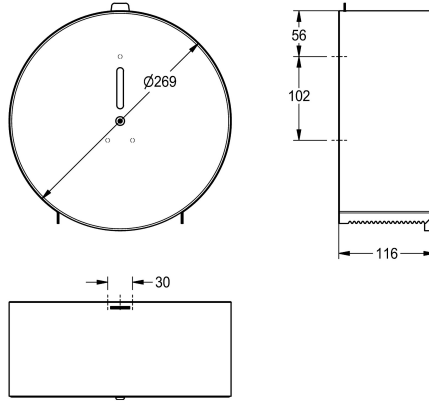


## KWC

### Jumbo toilet roll holder

Modell-Linie: ACCESSOIRES | CHR669

Accessories | WC-roll holders



#### KWC-No.

**2000060983**

Dimensions 269 x 269 x 116 mm (W x H x D)

Jumbo roll holder for wall mounting, stainless steel, surface satin finished, material thickness 0.8 mm, cylinder lock with KWC standard key, closed round casing with inspection window, paper withdrawal over two tear-off edges, for 1 roll with max. diameter

260 mm, includes stainless steel screws and dowels.

Dimensions 269 x 269 x 116 mm (W x H x D)

#### Technical Data

maximum depth/diameter of cons

260 mm

maximum width of consumable

105 mm

filling quantity

1

filling quantity uom

rolls

lock

key-lock

material

stainless steel

material code

1.4301 Chrome Nickel steel V2A

material thickness

0.8 mm

overall depth

116 mm

overall height

269 mm

overall width

269 mm

spindle

yes

surface finish

satin finished

type of fixing

screw

type of mounting

wall mounting