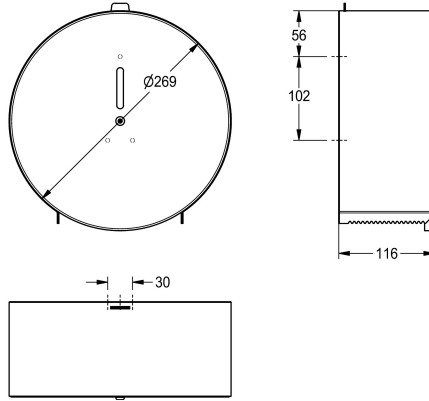


KWC

Jumbo toilet roll holder

Modell-Linie: ACCESSOIRES | CHR669

Accessories | WC-roll holders



KWC-No.

2000060983

Dimensions 269 x 269 x 116 mm (W x H x D)

Jumbo roll holder for wall mounting, stainless steel, surface satin finished, material thickness 0.8 mm, cylinder lock with KWC standard key, closed round casing with inspection window, paper withdrawal over two tear-off edges, for 1 roll with max. diameter

260 mm, includes stainless steel screws and dowels.

Dimensions 269 x 269 x 116 mm (W x H x D)

Technical Data

| | |
|--------------------------------|--------------------------------|
| maximum depth/diameter of cons | 260 mm |
| maximum width of consumable | 105 mm |
| filling quantity | 1 |
| filling quantity uom | rolls |
| lock | key-lock |
| material | stainless steel |
| material code | 1.4301 Chrome Nickel steel V2A |
| material thickness | 0.8 mm |
| overall depth | 116 mm |
| overall height | 269 mm |
| overall width | 269 mm |
| spindle | yes |
| surface finish | satin finished |
| type of fixing | screw |
| type of mounting | wall mounting |