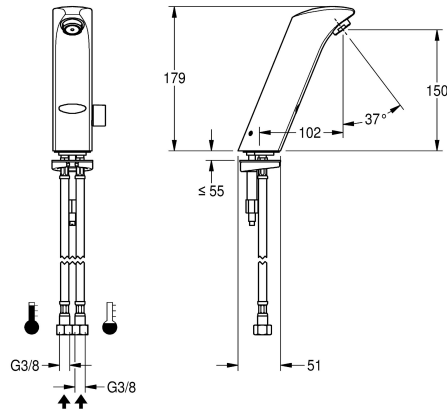


KWC PROTRONIC-S Electronic pillar mixer with battery operation

Modell-Linie: PROTRONIC-S | AQUA130
Taps | Electronic taps



KWC-No.

2000067773

PROTRONIC-S battery-supplied washbasin mixer with touch-free operation, DN 15 with aerator and integrated flow control, for connection to hot and cold water supply, polished chromium-plated

brass. With temperature selection lever and conversion set for concealed mixing device, 6 V battery.

Technical Data

with backflow preventer
calculation flow rate cold wat
calculation flow rate hot wate
default automatic hygiene flus
default flow time
depressurised
with filter
functional principle
hygiene flushing
diameter nominal
inlet size
Locking mechanism
material fitting
minimum flow pressure
type of mixing
number of batteries
Parameterization
Pop-up waste set
power supply connection
position of power connection
Type of power supply
protective system IP
with rosettes/cover plate
protective shutdown
sound insulation
Spout

yes
0.07 l/s
0.07 l/s
not activated
60 Seconds
no
yes
electronic self-closing
yes
DN 15
G 3/8
Top section, non-ceramic
brass
1 bar
yes
1
remote control
no
Battery 6 V
from bottom
Battery
IP65
no
yes
no
fixed



KWC PROTRONIC-S

Electronic pillar mixer with battery operation

Modell-Linie: PROTRONIC-S | AQUA130

Taps | Electronic taps

spout projection	102 mm
surface finish fitting	chromed
surface treatment fitting	polished
temperature limit	yes
thermal disinfection	no
with transformer/power supply	no
type of batteries	CR-P2 Lithium battery 6V
type of mounting	tap hole
type of operation	sensor operation
type of sensor	opto-electronic sensor
type of tap	pillar tap
volume flow rate at 3 bar	0.1 l/s
water connection	hose (gland nut)
Accent colour	none
Basic colour	chrome-look (glossy)

Optional Accessories



PURETHERM under-table thermostat

2030012758
PURE0031



Remote control

2000101087
ZAQUA091



Aerator

2000101160
ZAQUA087