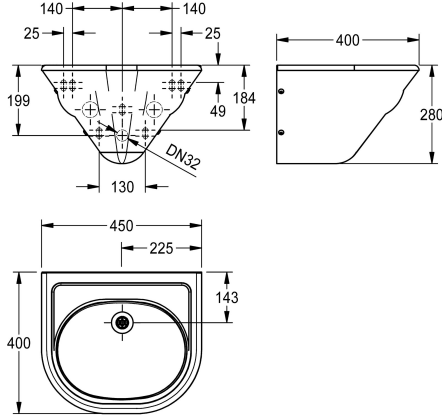


## KWC ANIMA Single washbasin

Modell-Linie: ANIMA | ANMX450  
Washbasins & Washtroughs | Wash basins



### KWC-No.

**2000071857**

Version for installation from the front, with mounting plate

Wash basin for wall mounting, stainless steel, surface satin finished, material thickness 1.2 mm, seamless welded bowl with dimension 360 x 272 x 135 mm, made of one piece, for high risk vandalism areas due to seamless closed trap cover and semicircular shape, rounded edges, bowl with revolving channel, 40 mm tap ledge, without overflow, 1 1/2" flat perforated waste, drainage centric, incl.

trap DN 32, with pressed soap dish, inclusive mounting plate conform to EN 31, includes stainless steel screws and dowels.

Dimensions 450 x 280 x 400 mm (W x H x D)  
Dimensions of bowl 360 x 150 x 270 mm (W x H x D)

### Technical Data

type of basin
bowl position
bowl - bowl height
bowl finish
bowl - depth
bowl shape
bowl - width
colour
material
material code
material thickness
overall depth
overall height
overall width
overflow
rear upstand
siphon diameter
siphon included
spillway
splash back
surface finish
tap ledge
tap ledge position
type of mounting

Wash basin
Center
150 mm
satin finished
270 mm
oval
360 mm
no colour
stainless steel
1.4301 Chrome Nickel steel V2A
1.2 mm
400 mm
280 mm
450 mm
no
yes
DN 32
yes
no
no
satin finished
yes
opposing
frame fixed from front





**KWC ANIMA**  
Single washbasin

**Modell-Linie: ANIMA | ANMX450**  
Washbasins & Washtroughs | Wash basins

type of waste kit	flat perforated waste
waste hole position	centre back
waste hole projection	155 mm
waste kit included	yes
waste size	DN 40
waste sleeve included	no